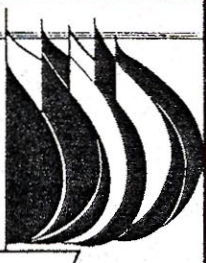
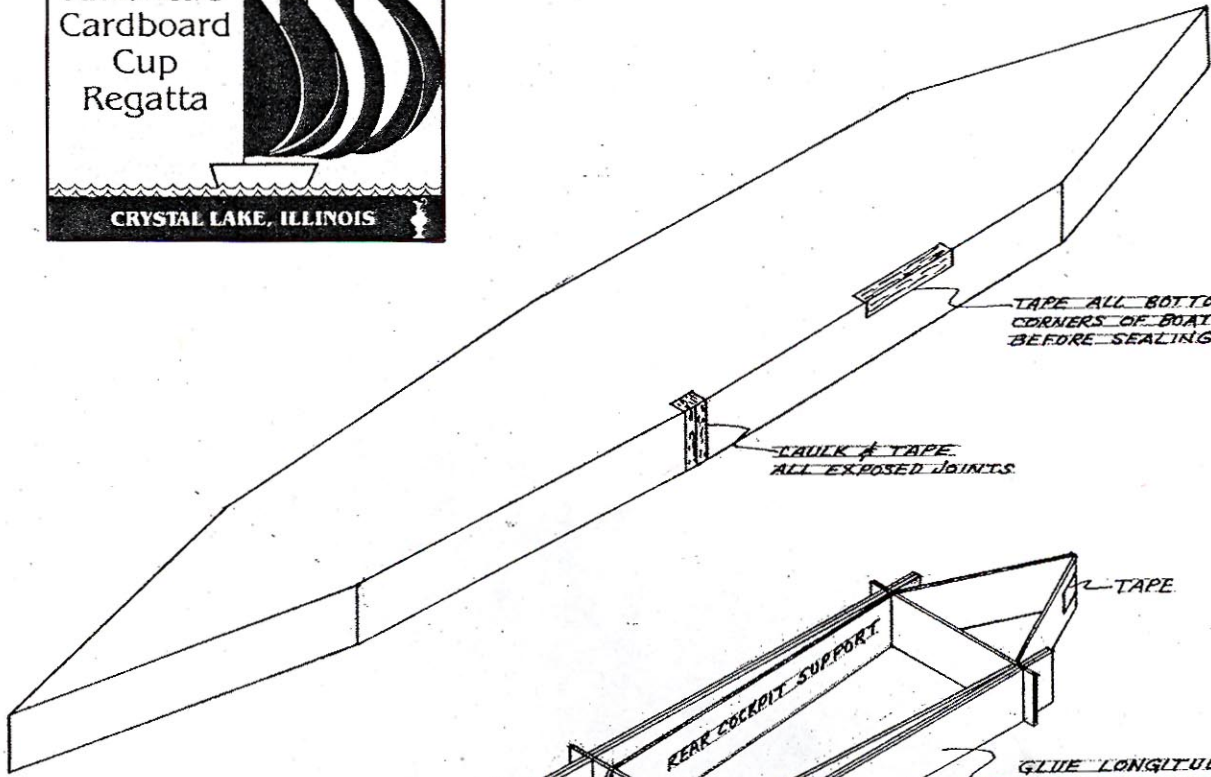


America's  
Cardboard  
Cup  
Regatta

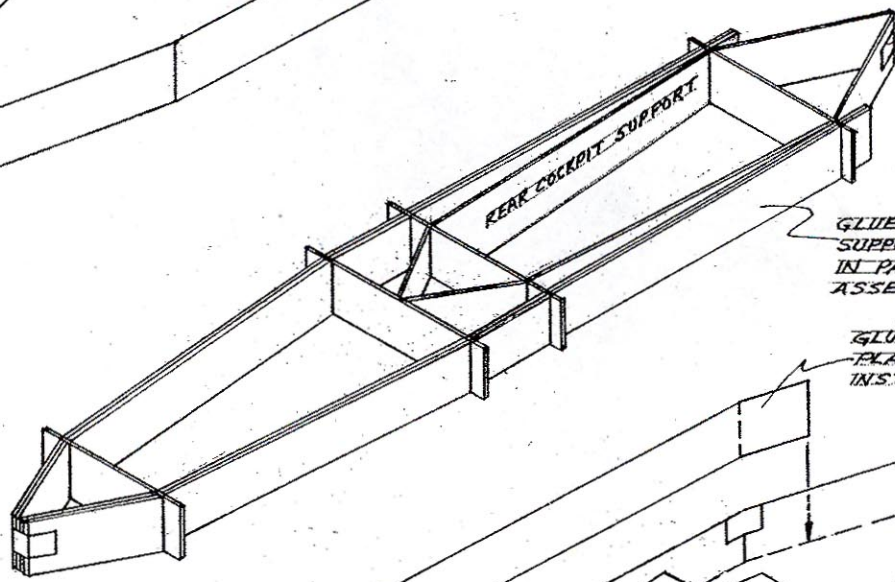


CRYSTAL LAKE, ILLINOIS



TAPE ALL BOTTOM  
CORNERS OF BOAT  
BEFORE SEALING

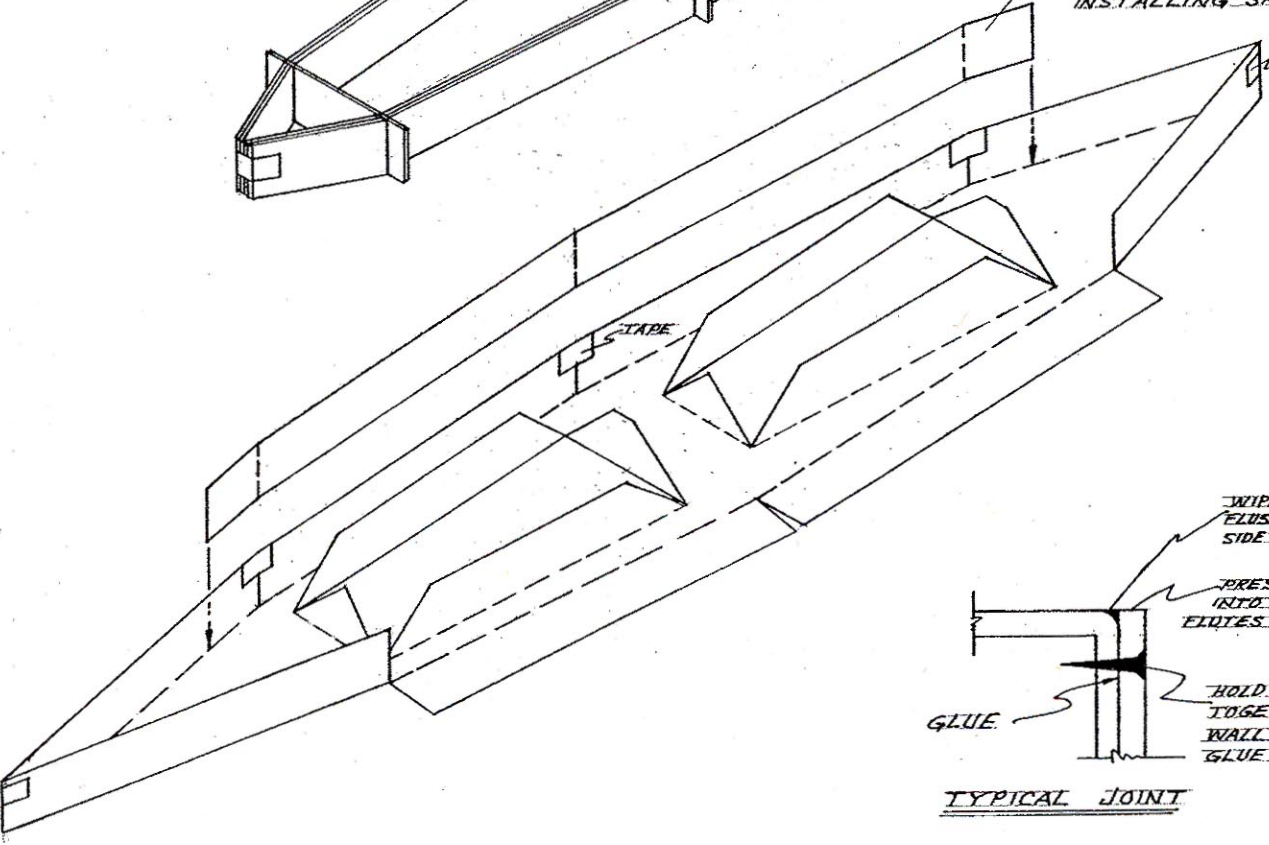
CAULK & TAPE  
ALL EXPOSED JOINTS



L-TAPE

GLUE LONGITUDINAL  
SUPPORTS TOGETHER  
IN PAIRS BEFORE  
ASSEMBLING SKELETON

GLUE SIDE BRACES IN  
PLACE BEFORE  
INSTALLING SKELETON



WIPE CAULKING  
FLUSH WITH TOP &  
SIDE W/PUTTY KNIFE

PRESS CAULKING  
INTO CORRUGATED  
FLUTES W/PUTTY KNIFE

HOLD GLUE JOINT  
TOGETHER WITH DRY  
WALL SCREWS UNTIL  
GLUE HAS SET

GLUE

TYPICAL JOINT